

**Eager Beaver Trailers**

**Prices Effective 11-14-18**

**All pricing for reference only**

**Consult with EBT rep for current pricing**

**10HDB-PT Base Price \$15,400**

**10HA-PT Base Price \$18,150**

**Base Price Includes:**

- 19' Flat Deck Length
- 6' Beavertail & 6' Ramps (8 degree beavertail)
- 12" Hi-Tensile Steel Mainframe With Cold-Formed Drawbar
- 6" Crossmembers Pierced Through Mainframe
- 10K HD Dexter Axles with HD Bearings
- ST235 / 80R 16 Goodyear Marathon Tires On Hub-Piloted Disc Wheels
- Sherwin Williams Genesis Paint: Yellow, Black, Red or Blue

10HDB-PT Brakes: 12 ¼" X 4" Electric Brakes With Breakaway Switch

10HA-PT Brakes: 12 ¼" X 4" Air Brakes With All-Wheel ABS



10 Ton List Pricing

<b>Options:</b>	<b>Price:</b>	<b>Notes:</b>
20' Deck Length	\$391	
21' Deck Length	\$784	
22' Deck Length	\$1,173	
23' Deck Length	\$1,723	
24' Deck Length	\$2,301	
Hutch 9700 Suspension	\$271	
Apitong Deck	\$2,667	
Additional Roto Rings (per pair)	\$150	
Ladder Ramps (angle iron)	NC	
Traction Wheelpaths (angle iron outside)	\$396	
Traction Center (angle iron inside)	\$396	
Bucket Pocket in Beavertail	\$1,101	
Bucket Plate on Beavertail	\$367	
Electric / Hydraulic Ramps 8' L X 3' W	\$5,135	
Electric / Hydraulic Ramps 8' L X 42" W	\$5,428	
Taper to Zero (knife edge) approach	\$80	
4' Bi-Fold Extension (manual flip-over)	\$1,270	Includes Taper to Zero Option
Hinged Third Ramp	\$1,101	Spring Assisted Only
72" Aluminum Extension Ramps	\$3,272	Per Pair
Two Speed Jack	\$309	
Jack Mounted on Headboard	\$157	
Two Speed Landing Gear	\$555	Two Jacks Connected
Two Speed Jack Mounted on Headboard	\$466	
Side Steps	\$318	One per side
Hubodometer	\$192	
Custom Paint	Call	
Spare Tire 235 / 80R 16E	\$481	Part # 999811
Spare Tire Carrier	\$241	

**Eager Beaver Trailers**

**Prices Effective 11-14-2018**

**All pricing for reference only**

**Consult with EBT rep for current pricing**

**12HDB-PT Base Price \$16,625**

**12HA-PT Base Price \$18,690**

**Base Price Includes:**

- 19' Flat Deck Length
- 6' Beavertail & 6' Ramps (8 degree beavertail)
- 12" Hi-Tensile Steel Mainframe With Cold-Formed Drawbar
- 6" Crossmembers Pierced Through Mainframe
- 12K HD Dexter Axles with HD Bearings
- ST235 / 80R 16 Goodyear Marathon Tires On Hub-Piloted Disc Wheels
- Sherwin Williams Genesis Paint: Yellow, Black, Red or Blue

12HDB-PT Brakes: 12 ¼" X 5" Electric Brakes With Breakaway Switch

12HA-PT Brakes: 12 ¼" X 5" Air Brakes With All-Wheel ABS



12 Ton List Pricing

Options:	Price:	Notes:
20' Deck Length	\$391	
21' Deck Length	\$784	
22' Deck Length	\$1,173	
23' Deck Length	\$1,723	
24' Deck Length	\$2,301	
Hutch 9700 Suspension	\$271	
Apitong Deck	\$2,667	
Additional Roto Rings (per pair)	\$150	
Ladder Ramps (angle iron)	NC	
Traction Wheelpaths (angle iron outside)	\$396	
Traction Center (angle iron inside)	\$396	
Bucket Pocket in Beavertail	\$1,101	
Bucket Plate on Beavertail	\$367	
Electric / Hydraulic Ramps 8' L X 3' W	\$5,135	
Electric / Hydraulic Ramps 8' L X 42" W	\$5,428	
Taper to Zero (knife edge) approach	\$80	
4' Bi-Fold Extension (manual flip-over)	\$1,270	Includes Taper to Zero Option
Hinged Third Ramp	\$1,101	Spring Assisted Only
72" Aluminum Extension Ramps	\$3,272	Per Pair
Two Speed Jack	\$309	
Jack Mounted on Headboard	\$157	
Two Speed Landing Gear	\$555	Two Jacks Connected
Two Speed Jack Mounted on Headboard	\$466	
Side Steps	\$318	One per side
Hubodometer	\$192	
Custom Paint	Call	
Spare Tire 235 / 80R 16E	\$481	Part # 999811
Spare Tire Carrier	\$241	
Spare Tire Carrier	\$190	

**Eager Beaver Trailers**

**Prices Effective 11-14-18**

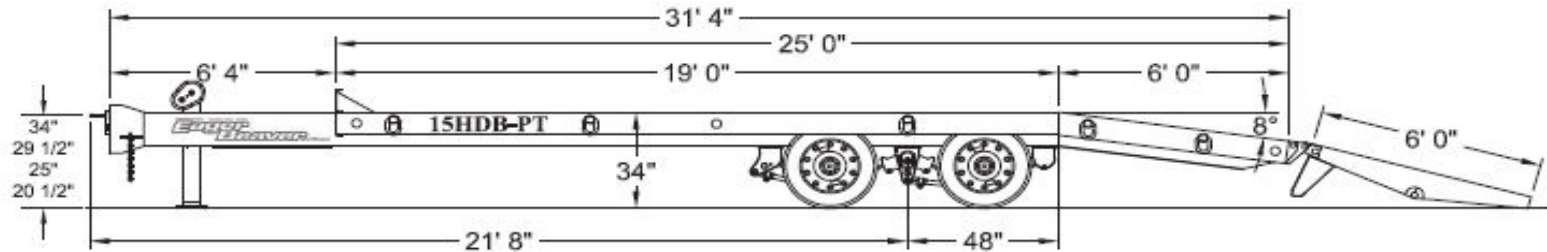
**All pricing for reference only**

**Consult with EBT rep for current pricing**

**15HDB-PT Base Price \$20,750**

**Base Price Includes:**

- 19' Flat Deck Length
- 6' Beavertail & 6' Ramps (8 degree beavertail)
- 14" Hi-Tensile Steel Mainframe With Cold-Formed Drawbar
- 6" Crossmembers Pierced Through Mainframe
- 15K HD Dexter Axles with HD Bearings
- 215 / 75R 17.5 Sumitomo ST727 Tires
- Sherwin Williams Genesis Paint: Yellow, Black, Red or Blue
- 12 1/4" X 5" Electric Brakes With Breakaway Switch
- Lockable Toolbox In Drawbar



15HDB-PT List Pricing

<b>Options:</b>	<b>Price:</b>	<b>Notes:</b>
20' Deck Length	\$221	
21' Deck Length	\$441	
22' Deck Length	\$1,383	
23' Deck Length	\$2,002	
24' Deck Length	\$2,623	
Apitong Deck	\$2,667	
Additional Roto Rings (per pair)	\$150	
Ladder Ramps (angle iron)	NC	
Traction Wheelpaths (angle iron outside)	\$396	
Traction Center (angle iron inside)	\$396	
Bucket Pocket in Beavertail	\$1,101	
Bucket Plate on Beavertail	\$367	
Electric / Hydraulic Ramps 8' L X 3' W	\$5,135	
Electric / Hydraulic Ramps 8' L X 42" W	\$5,428	
Taper to Zero (knife edge) approach	\$80	
4' Bi-Fold Extension (manual flip-over)	\$1,270	Includes Taper to Zero Option
Hinged Third Ramp	\$1,101	Spring Assisted Only
72" Aluminum Extension Ramps	\$3,272	Per Pair
Jack Mounted on Headboard	\$157	
Two Speed Landing Gear	\$555	Two Jacks Connected
Two Speed Jack Mounted on Headboard	\$466	
12K Electric Hydraulic Jack	\$2,215	
Side Steps	\$318	One Per Side
Hubodometer	\$192	
235 / 75R 17.5 Tire Upgrade	\$709	22,700 lbs. Per axle
Mill Finished Aluminum Wheels	\$1,194	Inside Only
Polished Aluminum Wheels	\$1,695	Outside Only
Custom Paint	Call	
Spare Tire 215 /75R 17.5	\$695	Part # 999983
Spare Tire 235 /75R 17.5	\$786	Part # 999987
Spare Tire Carrier	\$241	

**Eager Beaver Trailers**

**Prices Effective 11-14-2018**

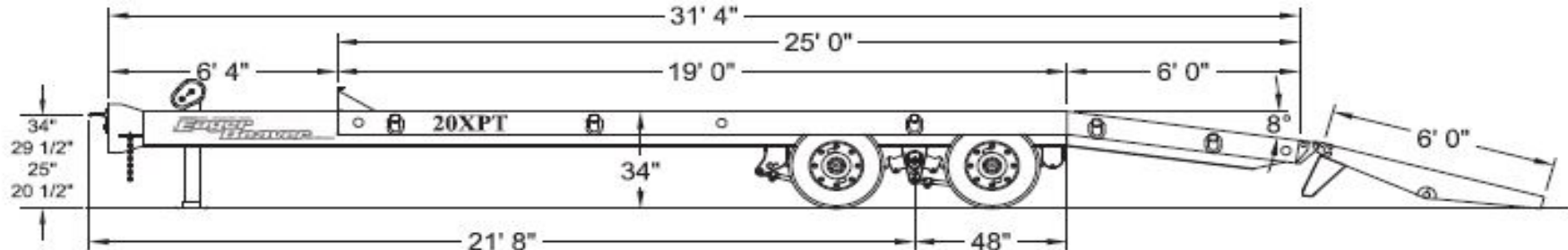
**20XPT Base Price \$21,135**

**Base Price Includes:**

- 19' Flat Deck Length
- 6' Beavertail & 6' Ramps (8 degree beavertail)
- 14" Hi-Tensile Steel Mainframe With Cold-Formed Drawbar
- 6" Crossmembers Pierced Through Mainframe
- 22,500 # Axles, 5" Diameter, Maximum Track Width
- 215 / 75R 17.5 Sumitomo ST727 Tires
- Sherwin Williams Genesis Paint: Yellow, Black, Red or Blue
- All-Wheel ABS (4S2M) With Spring Brakes On All Axles
- Lockable Toolbox In Drawbar



**20 XPT** Easy Loader Series 20 Ton Tag - (2) 20K ABS Air Brake Axles



<b>Options:</b>	<b>Price:</b>	<b>Notes:</b>
20' Deck Length	\$221	
21' Deck Length	\$441	
22' Deck Length	\$1,383	
23' Deck Length	\$2,002	
24' Deck Length	\$2,623	
Apitong Deck	\$2,667	
Additional Roto Rings (per pair)	\$150	
Ladder Ramps (angle iron)	NC	
Traction Wheelpaths (angle iron outside)	\$396	
Traction Center (angle iron inside)	\$396	
Bucket Pocket in Beavertail	\$1,101	
Bucket Plate on Beavertail	\$367	
Electric / Hydraulic Ramps 8' L X 3' W	\$5,135	
Electric / Hydraulic Ramps 8' L X 42" W	\$5,428	
Taper to Zero (knife edge) approach	\$80	
4' Bi-Fold Extension (manual flip-over)	\$1,270	Includes Taper to Zero Option
Hinged Third Ramp	\$1,101	Spring Assisted Only
72" Aluminum Extension Ramps	\$3,272	Per Pair
Jack Mounted on Headboard	\$157	
Two Speed Landing Gear	\$555	Two Jacks Connected
Two Speed Jack Mounted on Headboard	\$466	
12K Electric Hydraulic Jack	\$2,215	
Side Steps	\$318	One Per Side
Hubodometer	\$192	
235 / 75R 17.5 Tire Upgrade	\$709	22,700 lbs. Per axle
Mill Finished Aluminum Wheels	\$1,194	Inside Only
Polished Aluminum Wheels	\$1,695	Outside Only
Custom Paint	Call	
Spare Tire 215 /75R 17.5	\$695	Part # 999983
Spare Tire 235 /75R 17.5	\$786	Part # 999987
Spare Tire Carrier	\$241	
Spare Tire Carrier	\$190	



**Eager Beaver Trailers**

**Prices Effective 11-14-18**

**All pricing for reference only**

**25XPT Base Price \$22,300**

**25XPL Base Price \$24,500**

**Base Price Includes:**

22' Flat Deck Length

6' Beavertail & 6' Ramps (8 degree beavertail)

14" Hi-Tensile Steel Mainframe With Cold-Formed Drawbar

6" Crossmembers Pierced Through Mainframe

22,500 # Axles, 5" Diameter, Maximum Track Width

215 / 75R 17.5 Sumitomo ST727 Tires

Sherwin Williams Genesis Paint: Yellow, Black, Red or Blue

All-Wheel ABS (4S3M) With Spring Brakes On All Axles



25 Ton List Pricing

Options:	Dealer NET:	Notes:
23' Deck Length	\$461	
24' Deck Length	\$922	
25' Deck Length	\$1,383	
26' Deck Length	\$2,002	
27' Deck Length	\$2,623	
Apitong Deck	\$2,667	
Additional Roto Rings (per pair)	\$150	
Ladder Ramps (angle iron)	NC	
Traction Wheelpaths (angle iron outside)	\$396	
Traction Center (angle iron inside)	\$396	
Bucket Pocket in Beavertail	\$1,101	
Bucket Plate on Beavertail	\$621	
Electric / Hydraulic Ramps 8' L X 3' W	\$5,135	
Electric / Hydraulic Ramps 8' L X 42" W	\$5,428	
Taper to Zero (knife edge) approach	\$80	
4' Bi-Fold Extension (manual flip-over)	\$1,270	Includes Taper to Zero Option
Hinged Third Ramp	\$1,101	Spring Assisted Only
72" Aluminum Extension Ramps	\$3,272	Per Pair
Jack Mounted on Headboard	\$157	
Two Speed Landing Gear	\$555	Two Jacks Connected
Two Speed Jack Mounted on Headboard	\$466	
24K Electric / Hydraulic Jack	\$4,430	
Side Steps	\$318	One per side
Hubodometer	\$192	
235 / 75R 17.5 Tire Upgrade	\$1,063	22,700 lbs. Per axle
Mill Finished Aluminum Wheels	\$1,791	Inside Only
Polished Aluminum Wheels	\$2,544	Outside Only
Custom Paint	Call	
Spare Tire 215 /75R 17.5	\$695	Part # 999983
Spare Tire 235 /75R 17.5	\$786	Part # 999987
Spare Tire Carrier	\$241	

**Eager Beaver Trailers**

**Prices Effective 11-14-18**

<b>35GSL-S4S Dealer NET Base Price</b>	<b>\$44,780</b>
<b>35GSL-S Dealer NET Base Price</b>	<b>\$47,680</b>
<b>35GSL-BR Dealer NET Base Price</b>	<b>\$50,900</b>
<b>35GSL-PT Dealer NET Base Price</b>	<b>\$54,770</b>

**Base Price Includes:**

- 2 Axles -- 25,000# Capacity Each -- 3/4" Wall Thickness
- All-Wheel ABS, Spring Brakes On All Axles
- 6 Roto Ring Tiedowns Per Side
- 82" Swing Clearance / 50" 5th Wheel Height / 4" Relief Neck
- 255 / 70R 22.5 Sumitomo ST727 Tires
- 22' Deck Length
- Wetline Hydraulics
- 1.5" Apitong Decking Outside With Expanded Metal Center
- 10" x 9 lbs. per Foot Crossmembers on 18" Centers
- Sherwin Williams Genesis Paint: Yellow, Black, Red or Blue
- 24" Loaded Deck Height / 8" Ground Clearance
- 24" Front Flip Ramps (36" on PT model)
- 35GSL-S4S Standard Suspension: Hutch 9700

**35GSL-S4S**



**35GSL-S**



**35GSL-BR**



35GSL-S & 35GSL-BR Standard Suspension: Hutch 900-50 Single Point

35GSL-PT Standard Suspension: Ridewell Air Ride

35GSL-PT Base Price Also Includes: Tapered Main Beams, PT Style Covered Rear Deck (Wood Center) & Apitong Center Decking

**35GSL-PT**



35 Ton List Pricing

Options:	Price:	Notes:
13HP Honda / 14HP Kohler Powerpack	\$2,376	
Powerpack / Wetline Combo Unit	\$3,565	
Wheel Covers	\$2,202	Standard on 35GSL-PT Model -- N/A on 35GSL/S4S Model
Wood Over Steel Wheelcovers	\$1,842	Must ALSO Purchase Wheel Covers
Air Ride Suspension	\$2,583	Standard on 35GSL-PT Model -- N/A on 35GSL/S4S Model
Additional Roto Ring Tiedowns	\$150	Per Pair
Wood-Filled Center Deck (Apitong)	\$1,207	Standard on 35GSL-PT Model
275 / 70R 22.5 Tires	\$1,760	
Boomwell	\$792	N/A on 35GSL/S4S Model
Boom Pocket	\$1,101	Last 6' of Main Deck -- Expanded Metal Bottom
Toolbox 1st & 2nd Section of Deck	\$615	Can Also Be 1st & Last or 2nd & Last Sections of Deck
Polished Aluminum Wheels (Outside Only)	\$2,231	
Mill Finished Aluminum Wheels (Inside Only)	\$1,863	
Gooseneck Fenders	\$1,537	
Full Width Gooseneck Platform	\$3,169	
Beavertail & Ramps	\$3,175	Standard on 35GSL-BR Model -- N/A on 35GSL/S4S Model
Tapered Beams on Main Deck	\$3,961	Standard on 35GSL-PT Model -- N/A on 35GSL/S4S Model
Flasher Kit With Battery Backup	\$396	Flashes All Lights When G/N Is Detached
Amber Strobe Lights In Tailboard	\$396	
Siderail Reinforcement	\$676	
Custom Paint	Call	
24" Aluminum Pull-Out Outriggers	\$18,783	50,000 # Combined Capacity
HD Pull-Out First Outrigger	\$622	
Frame Stress For Future 3rd Flip Axle	\$2,201	Frame Stress Only
Complete Setup For Future 3rd Flip Axle	\$3,301	Frame Stress + Linkage, Air & Electrical Connections
3rd Flip Axle	\$15,533	Must ALSO Select Complete Setup For 3rd Flip Axle
Spare Tire -- 255 / 70R 22.5	\$792	Part # 999990
Spare Tire -- 275 / 70R 22.5	\$942	Part # 999995
Spring Assisted Front Flip Ramps	\$254	
LED Lightbar in Gooseneck	\$749	
Lockable Toolbox in Gooseneck Engine Compartment	\$309	Not Available If Powerpack is Installed

35 Ton List Pricing

### Deck Height & Length Options

**24" Loaded Deck Height / 8" Ground Clearance (16" Beam Depth -- Standard)**

		<u>709.676</u>	<u>2217.738</u>	<u>4169.347</u>	<u>4612.89</u>	<u>8604.822</u>	<u>9048.369</u>	<u>10080.63</u>	<u>11395.14</u>
	<u>22' Deck</u>	<u>23' Deck</u>	<u>24' Deck</u>	<u>25' Deck</u>	<u>26' Deck</u>	<u>27' Deck</u>	<u>28' Deck</u>	<u>29' Deck</u>	<u>30' Deck</u>
35GSL-S4S	Standard	\$559	\$1,746	\$3,283	\$3,632	\$6,775	\$7,125	\$7,938	\$8,973
35GSL-S	Standard	\$559	\$1,746	\$3,283	\$3,632	\$6,775	\$7,125	\$7,938	\$8,973
35GSL-BR	Standard	\$559	\$1,746	\$3,283	\$3,632	\$6,775	\$7,125	\$7,938	\$8,973
35GSL-PT	Standard	\$559	\$1,746	\$4,795	\$5,990	NA	NA	NA	NA

**22" Loaded Deck Height / 6" Ground Clearance (16" Beam Depth -- Dropped 2")**

	<u>22' Deck</u>	<u>23' Deck</u>	<u>24' Deck</u>	<u>25' Deck</u>	<u>26' Deck</u>	<u>27' Deck</u>	<u>28' Deck</u>	<u>29' Deck</u>	<u>30' Deck</u>
35GSL-S4S	NA	NA	NA	NA	NA	NA	NA	NA	NA
35GSL-S	\$1,905	\$2,464	\$3,651	\$5,188	\$5,537	\$8,680	\$9,030	\$9,843	\$10,878
35GSL-BR	\$2,450	\$2,950	\$4,250	\$5,750	\$6,250	NA	NA	NA	NA
35GSL-PT	\$2,419	\$3,129	\$4,637	\$6,589	\$7,032	NA	NA	NA	NA

**20" Loaded Deck Height / 6" Ground Clearance (14" Beam Depth)**

	<u>22' Deck</u>	<u>23' Deck</u>	<u>24' Deck</u>	<u>25' Deck</u>	<u>26' Deck</u>	<u>27' Deck</u>	<u>28' Deck</u>	<u>29' Deck</u>	<u>30' Deck</u>
35GSL-S4S	NA	NA	NA	NA	NA	NA	NA	NA	NA
35GSL-S	\$6,350	\$6,909	\$10,636	\$13,443	\$15,062	\$19,475	\$20,638	\$22,943	\$24,213
35GSL-BR	NA	NA	NA	NA	NA	NA	NA	NA	NA
35GSL-PT	NA	NA	NA	NA	NA	NA	NA	NA	NA

**18" Loaded Deck Height / 6" Ground Clearance (12" Beam Depth)**

	<u>22' Deck</u>	<u>23' Deck</u>	<u>24' Deck</u>	<u>25' Deck</u>	<u>26' Deck</u>	<u>27' Deck</u>	<u>28' Deck</u>	<u>29' Deck</u>	<u>30' Deck</u>
35GSL-S4S	NA	NA	NA	NA	NA	NA	NA	NA	NA
35GSL-S	\$8,255	\$11,271	\$12,541	\$15,348	\$16,967	\$21,380	\$23,000	\$25,083	\$27,388
35GSL-BR	NA	NA	NA	NA	NA	NA	NA	NA	NA
35GSL-PT	NA	NA	NA	NA	NA	NA	NA	NA	NA

35 Ton List Pricing

**Dropside Construction -- 18" Loaded Deck Height (Outside) / 24" Mainbeam Height / 8" Ground Clearance**

	<u>22' Deck</u>	<u>23' Deck</u>	<u>24' Deck</u>	<u>25' Deck</u>	<u>26' Deck</u>	<u>27' Deck</u>	<u>28' Deck</u>	<u>29' Deck</u>	<u>30' Deck</u>
35GSL-S4S	NA	NA	NA	NA	NA	NA	NA	NA	NA
35GSL-S	\$5,164	\$5,723	\$6,910	\$8,447	\$8,796	\$11,939	\$12,289	\$13,101	\$14,136
35GSL-BR	NA	NA	NA	NA	NA	NA	NA	NA	NA
35GSL-PT	NA	NA	NA	NA	NA	NA	NA	NA	NA

**Dropside Construction -- 16" Loaded Deck Height (Outside) / 22" Mainbeam Height / 6" Ground Clearance**

	<u>22' Deck</u>	<u>23' Deck</u>	<u>24' Deck</u>	<u>25' Deck</u>	<u>26' Deck</u>	<u>27' Deck</u>	<u>28' Deck</u>	<u>29' Deck</u>	<u>30' Deck</u>
35GSL-S4S	NA	NA	NA	NA	NA	NA	NA	NA	NA
35GSL-S	\$8,339	\$8,898	\$10,085	\$11,622	\$11,971	\$15,114	\$15,464	\$16,276	\$17,311
35GSL-BR	NA	NA	NA	NA	NA	NA	NA	NA	NA
35GSL-PT	NA	NA	NA	NA	NA	NA	NA	NA	NA

**Deck Width Options**

9' Deck w/ 102" Axles	\$3,810	
9' Deck w/ 108" Axles	\$12,700	
10' Deck w/ 102" Axles	\$3,810	(Outriggers Not Available)
10' Deck w/ 120" Axles	\$12,700	

**GSL Front Slope Options:**

Spade Nose Extension	\$4,763
Snub Nose Extension	\$730
Extended Front Slope	\$730

**In Lieu of Front Flip Ramps**

See GSL Front Slope & Extension Layout Sheet
See GSL Front Slope & Extension Layout Sheet
See GSL Front Slope & Extension Layout Sheet

**Eager Beaver Trailers**

**50GSL-3 Base Price: \$62,500**

**50GSL/BR Base Price: \$66,980**

**50GSL-PT Base Price: \$68,950**

**Base Price Includes:**

3 Axles, Air Ride, All Wheel ABS, Dump Valve

Spring Brake On All Axles

Lift 3rd Axle

54" Axle Spacing

7 Roto Ring Tiedowns Per Side

102" Swing Clearance / 50" 5th Wheel Height / 4" Relief Neck

255 / 70R 22.5 Sumitomo ST727 Tires

24' Deck Length

Wetline Hydraulics

24" Loaded Deck Height / 8" Ground Clearance

24" Front Flip Ramps

Sherwin Williams Genesis Paint: Yellow, Black, Red or Blue

18" Crossmember Spacing

1.5" Apitong Decking Outside With Expanded Metal Center

**Prices effective 11-14-18**

**50GSL-3**



**50GSL-BR**



50GSL-PT Base Price Also Includes: Tapered Main Beams, PT Style Covered Rear Deck (Wood Center) & Apitong Center Decking

**50GSL-PT**



<b>Options:</b>	<b>Dealer NET:</b>	<b>Notes:</b>
60" Axle Spacing	\$2,430	May be greater than 53' in OAL
Frame Stress For Future 4th Flip / Spread Axle	\$2,201	Bottom Links Only -- No Air / Electric Lines
Complete Setup For Future 4th Flip / Spread Axle	\$3,301	Top & Bottom Links + Air / Electric Lines
4th Flip Axle	\$14,257	
14' 1" Mechanical Spreader Bar (East Coast)	\$14,669	Must ALSO Purchase 4th Flip Axle
3rd Axle Set Up As Flip (Removable) Axle	\$3,169	
Oversize Load Sign	\$445	
Wheel Covers	\$3,073	Standard on 50GSL-PT Model
Bucket Pocket	\$1,101	Last 6' of Main Deck -- Expanded Metal Bottom
Toolbox 1st & 2nd Section of Deck	\$615	
Polished Aluminum Wheels (Outside Only)	\$3,349	
Mill Finished Aluminum Wheels (Inside or Outside)	\$2,794	
13HP Honda Power Pack	\$2,376	
Power Pack / Wetline Combo	\$3,565	
Side Rail Reinforcement	\$676	
Gooseneck Fenders	\$1,537	
Flasher Kit w/ Battery Backup	\$396	Flashes All Lights When G/N is Detached
Amber Strobes in Tailboard	\$396	
Moveable Kingpin (102" & 82" Swing)	\$1,016	
Full Width Gooseneck Platform	\$3,169	
Manual Raise / Lower Valve on Suspension	\$584	
Additional Roto Ring Tiedowns	\$150	(Per Pair)
Beavertail & Ramps on Rear	\$3,810	Standard on 50GSL/BR model
Spring Assisted Front Flip Ramps	\$254	
LED Lightbar in Gooseneck	\$749	
Lockable Toolbox in Gooseneck Engine Compartment	\$309	Not Available If Powerpack is Installed
Custom Paint	Call	
Wood-Filled Center Deck (Apitong)	\$1,207	Standard on 50GSL-PT Model
275 / 70R 22.5 Tires	\$2,637	
Spare Tire -- 255 / 70R 22.5	\$792	Part # 999990
Spare Tire -- 275 / 70R 22.5	\$942	Part # 999995



**Deck Height & Length Options****24" Loaded Deck Height / 8" Ground Clearance (16" Beam Depth -- Standard)**

	<u>22' Deck</u>	<u>23' Deck</u>	<u>24' Deck</u>	<u>25' Deck</u>	<u>26' Deck</u>	<u>27' Deck</u>	<u>28' Deck</u>	<u>29' Deck</u>	<u>30' Deck</u>
50GSL-3	NC	NC	Standard	\$699	\$1,886	\$5,029	\$5,378	\$6,083	\$6,981
50GSL-BR	NC	NC	Standard	\$699	\$1,886	\$5,029	\$5,378	\$6,083	\$6,981
50GSL-PT	NC	NC	Standard	\$3,493	\$4,680	\$5,315	NA	NA	NA

**22" Loaded Deck Height / 6" Ground Clearance (16" Beam Depth -- Dropped 2")**

	<u>22' Deck</u>	<u>23' Deck</u>	<u>24' Deck</u>	<u>25' Deck</u>	<u>26' Deck</u>	<u>27' Deck</u>	<u>28' Deck</u>	<u>29' Deck</u>	<u>30' Deck</u>
50GSL-3	\$1,905	\$1,905	\$1,905	\$2,604	\$3,791	\$6,934	\$7,283	\$7,988	\$8,886
50GSL-BR	\$2,419	\$2,419	\$2,419	\$3,306	\$4,815	\$8,806	\$9,250	\$10,145	\$11,285
50GSL-PT	\$1,905	\$1,905	\$1,905	\$5,398	\$6,585	NA	NA	NA	NA

**20" Loaded Deck Height / 6" Ground Clearance (14" Beam Depth)**

	<u>22' Deck</u>	<u>23' Deck</u>	<u>24' Deck</u>	<u>25' Deck</u>	<u>26' Deck</u>	<u>27' Deck</u>	<u>28' Deck</u>	<u>29' Deck</u>	<u>30' Deck</u>
50GSL-3	\$6,350	\$6,350	\$6,350	\$8,319	\$10,776	\$15,189	\$16,808	\$18,783	\$19,681
50GSL-BR	NA	NA	NA	NA	NA	NA	NA	NA	NA
50GSL-PT	NA	NA	NA	NA	NA	NA	NA	NA	NA

**18" Loaded Deck Height / 6" Ground Clearance (12" Beam Depth)**

	<u>22' Deck</u>	<u>23' Deck</u>	<u>24' Deck</u>	<u>25' Deck</u>	<u>26' Deck</u>	<u>27' Deck</u>	<u>28' Deck</u>	<u>29' Deck</u>	<u>30' Deck</u>
50GSL-3	\$8,255	\$8,255	\$8,255	\$10,224	\$12,681	\$17,094	\$18,256	\$20,688	\$22,221
50GSL-BR	NA	NA	NA	NA	NA	NA	NA	NA	NA
50GSL-PT	NA	NA	NA	NA	NA	NA	NA	NA	NA

**Dropside Construction -- 18" Loaded Deck Height (Outside) / 24" Mainbeam Height / 8" Ground Clearance**

	<u>22' Deck</u>	<u>23' Deck</u>	<u>24' Deck</u>	<u>25' Deck</u>	<u>26' Deck</u>	<u>27' Deck</u>	<u>28' Deck</u>	<u>29' Deck</u>	<u>30' Deck</u>
50GSL-3	\$5,164	\$5,164	\$5,164	\$5,862	\$7,050	\$10,193	\$10,542	NA	NA
50GSL-BR	NA	NA	NA	NA	NA	NA	NA	NA	NA
50GSL-PT	NA	NA	NA	NA	NA	NA	NA	NA	NA

**Dropside Construction -- 16" Loaded Deck Height (Outside) / 22" Mainbeam Height / 6" Ground Clearance**

	<u>22' Deck</u>	<u>23' Deck</u>	<u>24' Deck</u>	<u>25' Deck</u>	<u>26' Deck</u>	<u>27' Deck</u>	<u>28' Deck</u>	<u>29' Deck</u>	<u>30' Deck</u>
50GSL-3	\$8,339	\$8,339	\$8,339	\$9,037	\$10,225	\$13,368	\$13,717	NA	NA
50GSL-BR	NA	NA	NA	NA	NA	NA	NA	NA	NA
50GSL-PT	NA	NA	NA	NA	NA	NA	NA	NA	NA

**Deck Width Options**

9' Deck w/ 102" Axles	\$3,810	
9' Deck w/ 108" Axles	\$13,970	
10' Deck w/ 102" Axles	\$3,810	(Outriggers Not Available)
10' Deck w/ 120" Axles	\$13,970	

**GSL Front Slope Options:**

**In Lieu of Front Flip Ramps**

Spade Nose Extension	\$4,763	See GSL Front Slope & Extension Layout Sheet
Snub Nose Extension	\$730	See GSL Front Slope & Extension Layout Sheet
Extended Front Slope	\$730	See GSL Front Slope & Extension Layout Sheet

**Eager Beaver Trailers**

**Prices Effective 11-14-18**

**55GSL-PT Dealer NET Base Price     \$83,690**  
**60GSL-PT Dealer NET Base Price     \$92,720**

**Base Price Includes:**

- 3 Axles, 3/4" Wall Thickness, True 25,000 lb. Capacity Each, 54" Spacing
- Ridewell Air Ride With Dump Valve, All-Wheel ABS
- Spring Brake On All Axles
- Lift 3rd Axle
- 7 Roto Ring Tiedowns Per Side
- 102" Swing Clearance / 50" 5th Wheel Height / 4" Relief Neck
- 275 / 70R 22.5 Sumitomo ST727 Tires
- 24' Deck Length
- Wetline Hydraulics
- 2" Nominal Apitong Decking Full Width
- 36" Front Flip Ramps
- Sherwin Williams Genesis Paint: Yellow, Black, Red or Blue
- 24" Loaded Deck Height / 8" Ground Clearance
- Frame Stress & Bottom Linkage for Future 4th Flip / Spread Axle

**55GSL-PT**



**60GSL-PT**



55 60 Ton Paver Trailers Dealer NET

Options:	Dealer NET:	Notes:
60" Axle Spacing	\$2,430	Will be greater than 53' in OAL
Bucket Pocket	\$1,101	Last 6' of Main Deck -- Expanded Metal Bottom
Toolbox 1st & 2nd Section of Deck	\$615	
Polished Aluminum Wheels (Outside Only)	\$3,349	
Mill Finished Aluminum Wheels (Inside or Outside)	\$2,794	
13HP Honda Power Pack	\$2,376	
Power Pack / Wetline Combo	\$3,565	
Side Rail Reinforcement	\$676	
Gooseneck Fenders	\$1,537	
Flasher Kit w/ Battery Backup	\$396	Flashes All Lights When G/N is Detached
Amber Strobes in Tailboard	\$396	
110" Swing Clearance	\$1,109	Adds 8" to OAL
114" Swing Clearance	\$2,125	Adds 12" to OAL
Two Position Kingpin	\$1,016	Removable / Drop-in Kingpin
Full Width Gooseneck Platform	\$3,169	Load Bearing
Manual Raise / Lower Valve on Suspension	\$584	
Additional Roto Ring Tiedowns	\$150	(Per Pair)
HD Pull-Out Front outrigger	\$622	
Oversize Load Sign	\$445	
Grouser Bars Front Slope	\$318	
Grouser Bars Rear Slope	\$318	
Undermount Crossmembers in Boomwell	\$1,080	Provides Maximum Depth Possible in Boomwell Area
Stub Crossmembers	\$1,467	Between Full-Width Crossmembers
Spare Tire -- 275 / 70R 22.5	\$942	Part # 999995
Spring Assisted Front Flip Ramps	\$254	
LED Lightbar in Gooseneck	\$749	
Lockable Toolbox in Gooseneck Engine Compartment	\$309	Not Available If Powerpack is Installed
Complete Setup for Future 4th Flip / Spread Axle	\$1,101	Frame Stress & Bottom Linkage Std.
Wood Over Steel Wheelcovers	\$2,223	Outside of Rear Deck
Boomwell In Lieu of Wood-Center	NC	
Spade Nose Extension	\$4,763	See GSL Front Slope & Extension Layout Sheet

55 60 Ton Paver Trailers Dealer NET

**Deck Height & Length Options:**

**Trailers over 53' in Overall Length Require Permits**

**24" Loaded Deck Height / 8" Ground Clearance (16" Beam Depth -- Standard)**

	<u>22' Deck</u>	<u>23' Deck</u>	<u>24' Deck</u>	<u>25' Deck</u>	<u>26' Deck</u>	<u>27' Deck</u>	<u>28' Deck</u>	<u>29' Deck</u>	<u>30' Deck</u>
55GSL-PT	NC	NC	Standard	\$1,886	\$5,061	\$7,353	NA	NA	NA
60GSL-PT	NC	NC	Standard	\$2,395	\$6,427	NA	NA	NA	NA

**22" Loaded Deck Height / 6" Ground Clearance (16" Beam Depth -- Dropped 2")**

	<u>22' Deck</u>	<u>23' Deck</u>	<u>24' Deck</u>	<u>25' Deck</u>	<u>26' Deck</u>	<u>27' Deck</u>	<u>28' Deck</u>	<u>29' Deck</u>	<u>30' Deck</u>
55GSL-PT	\$1,905	\$1,905	\$1,905	\$3,791	\$6,966	\$9,258	NA	NA	NA
60GSL-PT	\$2,419	\$2,419	\$2,419	\$4,815	\$8,847	NA	NA	NA	NA

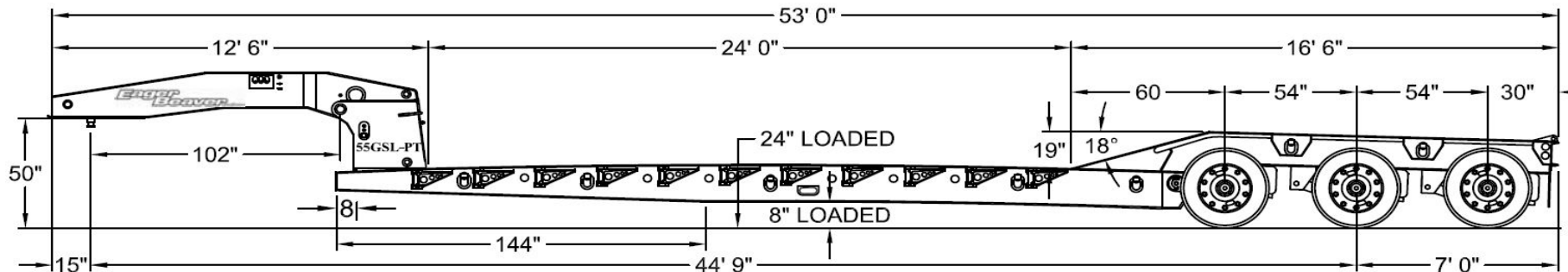
**Deck Width Options:**

**Trailers over 8' 6" Wide Require Permits**

9' Deck w/ 102" Axles	\$3,810
9' Deck w/ 108" Axles	\$13,970
10' Deck w/ 120" Axles	\$13,970

**Flip Axle & Spreader Bar Options:**

Complete Setup for Future 4th Flip / Spread Axle	\$1,101	Frame Stress & Bottom Linkage Std.
4th Flip Axle	\$14,629	Must ALSO Purchase Complete Setup



55 60 Ton Paver Trailers Dealer NET

**Eager Beaver Trailers**

**Prices Effective 11-14-18**

**55GSL-3 Dealer NET Base Price     \$70,230**  
**60GSL-3 Dealer NET Base Price     \$73,775**

**Base Price Includes:**

- 3 Axles, 3/4" Wall Thickness, True 25,000 lb. Capacity Each, 54" Spacing
- Ridewell Air Ride With Dump Valve, All-Wheel ABS
- Spring Brake On All Axles
- Lift 3rd Axle
- 7 Roto Ring Tiedowns Per Side
- 102" Swing Clearance / 50" 5th Wheel Height / 4" Relief Neck
- 275 / 70R 22.5 Sumitomo ST727 Tires
- 25' Deck Length
- Wetline Hydraulics
- 2" Nominal Apitong Decking Outside With Expanded Metal Center
- 24" Front Flip Ramps
- Sherwin Williams Genesis Paint: Yellow, Black, Red or Blue
- 24" Loaded Deck Height / 8" Ground Clearance
- Frame Stress & Bottom Linkage for Future 4th Flip / Spread Axle



**60GSL-3**

**55GSL-3**



55 60 Ton List Pricing

Options:	Dealer NET:	Notes:
60" Axle Spacing	\$2,430	Will be greater than 53' in OAL Fully Load Bearing
Wheel Covers	\$3,073	
Wood-Filled Center Deck (Apitong)	\$1,524	Last 6' of Main Deck -- Expanded Metal Bottom
Bucket Pocket	\$1,101	
Toolbox 1st & 2nd Section of Deck	\$615	
Polished Aluminum Wheels (Outside Only)	\$3,349	
Mill Finished Aluminum Wheels (Inside or Outside)	\$2,794	
13HP Honda Power Pack	\$2,376	
Power Pack / Wetline Combo	\$3,565	
Side Rail Reinforcement	\$676	
Gooseneck Fenders	\$1,537	
Flasher Kit w/ Battery Backup	\$396	
Amber Strobes in Tailboard	\$396	
110" Swing Clearance	\$1,109	Adds 8" to OAL
114" Swing Clearance	\$2,125	Adds 12" to OAL
Two Position Kingpin	\$1,016	Removable / Drop-in Kingpin
Full Width Gooseneck Platform	\$3,169	Load Bearing
Manual Raise / Lower Valve on Suspension	\$584	(Per Pair)
Additional Roto Ring Tiedowns	\$150	
HD Pull-Out Front outrigger	\$622	
Oversize Load Sign	\$445	
Grouser Bars Front Slope	\$318	
Grouser Bars Rear Slope	\$318	
Undermount Crossmembers in Boomwell	\$1,080	Provides Maximum Depth Possible in Boomwell Area
Stub Crossmembers	\$1,467	Between Full-Width Crossmembers
Spare Tire -- 275 / 70R 22.5	\$942	Part # 999995
Spring Assisted Front Flip Ramps	\$254	
LED Lightbar in Gooseneck	\$749	
Lockable Toolbox in Gooseneck Engine Compartment	\$309	Not Available If Powerpack is Installed
Complete Setup for Future 4th Flip / Spread Axle	\$1,101	Frame Stress & Bottom Linkage Std.

55 60 Ton List Pricing

**Deck Height & Length Options**

**24" Loaded Deck Height / 8" Ground Clearance (16" Beam Depth -- Standard)**

	<u>22' Deck</u>	<u>23' Deck</u>	<u>24' Deck</u>	<u>25' Deck</u>	<u>26' Deck</u>	<u>27' Deck</u>	<u>28' Deck</u>	<u>29' Deck</u>	<u>30' Deck</u>
55GSL-3	NC	NC	NC	Standard	\$1,886	\$5,029	\$5,378	\$6,083	\$6,981
60GSL-3	NC	NC	NC	Standard	\$2,521	\$5,664	\$6,013	\$6,718	\$7,616

**22" Loaded Deck Height / 6" Ground Clearance (16" Beam Depth -- Dropped 2")**

	<u>22' Deck</u>	<u>23' Deck</u>	<u>24' Deck</u>	<u>25' Deck</u>	<u>26' Deck</u>	<u>27' Deck</u>	<u>28' Deck</u>	<u>29' Deck</u>	<u>30' Deck</u>
55GSL-3	\$1,905	\$1,905	\$1,905	\$1,905	\$3,791	\$6,934	\$7,283	\$7,988	\$8,886
60GSL-3	\$1,905	\$1,905	\$1,905	\$1,905	\$3,791	\$6,934	\$7,283	\$7,988	\$8,886

**20" Loaded Deck Height / 6" Ground Clearance (14" Beam Depth)**

	<u>22' Deck</u>	<u>23' Deck</u>	<u>24' Deck</u>	<u>25' Deck</u>	<u>26' Deck</u>	<u>27' Deck</u>	<u>28' Deck</u>	<u>29' Deck</u>	<u>30' Deck</u>
55GSL-3	\$7,620	\$7,620	\$7,620	\$8,890	\$12,046	\$17,729	\$19,348	\$21,323	\$23,491
60GSL-3	\$9,525	\$9,525	\$9,525	\$10,795	\$13,951	\$19,634	\$21,253	NA	NA

**18" Loaded Deck Height / 6" Ground Clearance (12" Beam Depth)**

	<u>22' Deck</u>	<u>23' Deck</u>	<u>24' Deck</u>	<u>25' Deck</u>	<u>26' Deck</u>	<u>27' Deck</u>	<u>28' Deck</u>	<u>29' Deck</u>	<u>30' Deck</u>
55GSL-3	\$12,065	\$12,065	\$12,065	\$13,335	\$16,491	\$20,904	\$22,523	\$24,498	\$26,031
60GSL-3	\$13,970	\$13,970	\$13,970	\$15,240	\$18,396	\$22,809	\$24,428	NA	NA

**Dropside Construction -- 18" Loaded Deck Height (Outside) / 24" Mainbeam Height / 8" Ground Clearance**

	<u>22' Deck</u>	<u>23' Deck</u>	<u>24' Deck</u>	<u>25' Deck</u>	<u>26' Deck</u>	<u>27' Deck</u>	<u>28' Deck</u>	<u>29' Deck</u>	<u>30' Deck</u>
55GSL-3	\$5,164	\$5,164	\$5,164	\$5,164	\$7,050	\$10,193	\$10,542	\$11,247	NA
60GSL-3	\$5,799	\$5,799	\$5,799	\$5,799	\$8,320	\$11,463	\$11,812	NA	NA

**Dropside Construction -- 16" Loaded Deck Height (Outside) / 22" Mainbeam Height / 6" Ground Clearance**

	<u>22' Deck</u>	<u>23' Deck</u>	<u>24' Deck</u>	<u>25' Deck</u>	<u>26' Deck</u>	<u>27' Deck</u>	<u>28' Deck</u>	<u>29' Deck</u>	<u>30' Deck</u>
55GSL-3	\$7,069	\$7,069	7068.82	7068.82	\$8,955	\$12,098	\$12,447	\$13,152	NA
60GSL-3	\$8,339	\$8,339	\$8,339	\$8,339	\$10,860	\$14,003	\$14,352	NA	NA



**Deck Width Options**

9' Deck w/ 102" Axles	\$3,810	
9' Deck w/ 108" Axles	\$13,970	
10' Deck w/ 102" Axles	\$3,810	(Outriggers Not Available)
10' Deck w/ 120" Axles	\$13,970	

**Flip Axle & Spreader Bar Options:**

Complete Setup for Future 4th Flip / Spread Axle	\$1,101	Frame Stress & Bottom Linkage Std.
Complete Setup for Tandem Spread / Flip Axles	\$3,747	
4th Flip Axle	\$14,629	Must ALSO Purchase Complete Setup
5th Flip Axle (Becomes 4th Interim Flip)	\$15,964	Must ALSO Purchase Complete Setup for Tandem Spread
14' 1" Mechanical Spreader Bar (East Coast)*	\$14,669	*Must ALSO Purchase Complete Setup & 4th Flip Axle
		*On-Road / Level Ground Use Only
Single Axle Nitro Spreader Bar*	\$26,924	*Must ALSO Purchase Complete Setup & 4th Flip Axle
Tandem Nitro Spreader Bar**	\$50,546	**Must ALSO Purchase Complete Setup for Tandem Spread
		**Must ALSO Purchase 4th & 5th Flip Axles
4th Flip Axle 9' Wide	\$15,737	Must ALSO Purchase Complete Setup
4th Flip Axle 10' Wide	\$16,472	Must ALSO Purchase Complete Setup
5th Flip Axle (Becomes 4th Interim Flip) 9' Wide	\$17,181	Must ALSO Purchase Complete Setup for Tandem Spread
5th Flip Axle (Becomes 4th Interim Flip) 10' Wide	\$17,767	Must ALSO Purchase Complete Setup for Tandem Spread
Wheelcovers on Flip Axle	\$1,024	
Strobe Lights on Flip Axle	\$396	
Mill Finished Aluminum Wheels (Inside or Outside)	\$931	Flip Axle Only
Polished Aluminum Wheels (Outside Only)	\$1,116	Flip Axle Only
Spade Nose Extension	\$4,763	See GSL Front Slope & Extension Layout Sheet
Snub Nose Extension	\$730	See GSL Front Slope & Extension Layout Sheet
Extended Front Slope	\$730	See GSL Front Slope & Extension Layout Sheet
Extended Front Slope With Grouser Bars	\$1,048	See GSL Front Slope & Extension Layout Sheet

**Eager Beaver Trailers**

**Prices Effective 11-14-18**

**B6DOW Tandem Axle Tag Trailer Base Price \$10,310**

**Load Capacity: 12,000 lbs.**

**GVWR: 16,500 lbs.**

**B8DOW Tandem Axle Tag Trailer Base Price \$13,260**

**Load Capacity: 16,000 lbs.**

**GVWR: 21,500 lbs.**

**B9DOW Tri-Axle Tag Trailer Base Price \$11,540**

**Load Capacity: 18,000 lbs.**

**GVWR: lbs. 22,600 lbs.**

**Base Price Includes:**

17' Flat Deck With 5' Beavertail & 5' Ramps

12" Hi-Tensile Steel Mainframe With Cold-Formed Drawbar

6" Crossmembers Pierced Through Mainframe

6,000 lb. HD Dexter Axles with HD Bearings

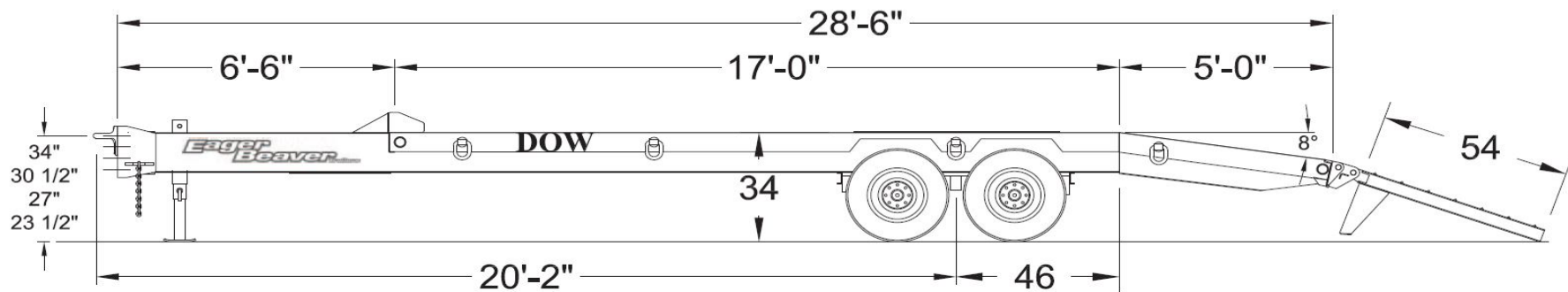
**B6DOW & B9DOW:** ST235 / 80R 16 Goodyear Marathon Tires On Hub-Piloted Disc Wheels

**B8DOW:** 215 / 75R 17.5 Sumitomo Tires On Hub-Piloted Disc Wheels

Sherwin Williams Genesis Paint: Yellow, Black, Red or Blue



**B8 DOW 8 TonTag - (2) 8K Electric Brake Axles**



Options:	Price:	Notes:
Additional Roto Rings (per pair)	\$150	
Ladder Ramps (angle iron)	NC	
Traction Wheelpaths (angle iron outside)	\$396	
Traction Center (angle iron inside)	\$396	
Bucket Plate on Beavertail	\$367	
Taper to Zero (knife edge) approach	\$80	
72" Aluminum Extension Ramps	\$3,272	Per Pair
Two Speed Jack	\$309	
Jack Mounted on Headboard	\$157	
Two Speed Jack Mounted on Headboard	\$466	
Side Steps	\$318	One per side
Hubodometer	\$192	
Spare Tire 235 / 80R 16E (Fits B6 & B9DOW)	\$479	PN 999813
Spare Tire 215 / 75R 17.5 (Fits B8DOW)	\$612	PN 999820



**Eager Beaver Trailers**

**Prices Effective 11-14-18**

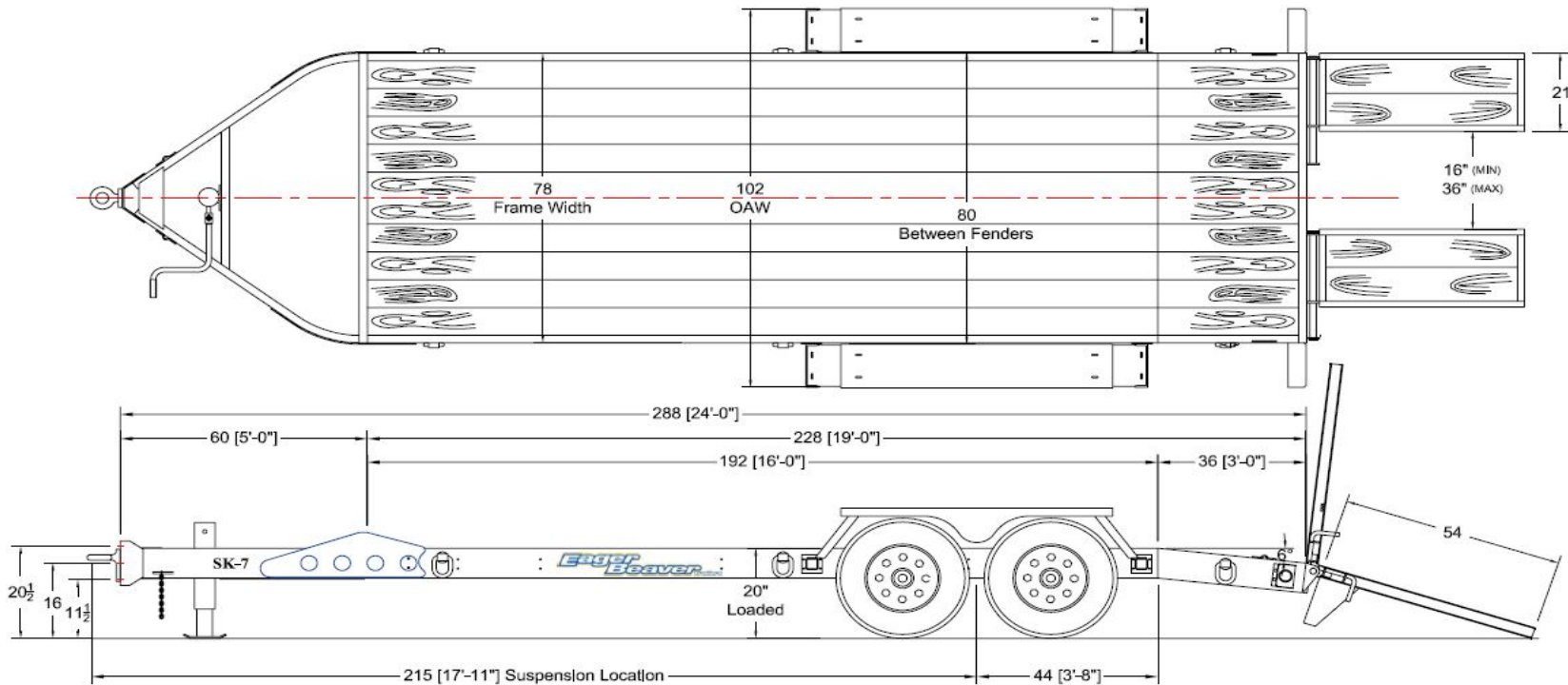
**SK-6 Dealer NET Base Price \$8,050**

**SK-7 Dealer NET Base Price \$9,350**

**Base Price Includes:**

- 16' Flat Deck Length
- 3' Beavertail & 54" Ramps
- 8" Channel Steel Mainframe
- 6" Crossmembers Pierced Through Mainframe
- 6K (SK-6) Or 7K (SK-7) Dexter Torflex Axles

- ST235 / 80R 16 Goodyear Marathon Tires on SK6
- 215 / 75R 17.5 Sumitomo Tires on SK7
- Sherwin Williams Genesis Paint: Yellow, Black, Red or Blue
- 3 Roto Ring Tiedowns Per Side
- Choice of Wood-Filled or Ladder Style Ramps



Options:	Price:	Notes:
16' Deck Length	Std.	
18' Deck Length	\$784	
20' Deck Length	\$1,723	
	0	
Apitong Deck	\$2,667	
Additional Roto Rings (per pair)	\$150	
Ladder Ramps (angle iron)	#VALUE!	
Traction Wheelpaths (angle iron outside)	\$396	
Taper to Zero (knife edge) approach	\$80	
Hinged Third Ramp	\$1,101	Spring Assisted Only
72" Aluminum Extension Ramps	\$3,272	Per Pair
Two Speed Jack	\$309	
Side Steps	\$318	One per side
Hubodometer	\$192	
Spare Tire 235 / 80R 16E (Fits SK6)	\$479	PN 999813
Spare Tire 215 / 75R 17.5 (Fits SK7)	\$612	PN 999820